

500-EXCELLENT SERIES DRRK MODELS



The DRR-K assembly enables the installation of a food waste disposer into an existing sink or washing line so that the full diameter of the inlet to the grinder can be used. This is an advantage when the dimensions and the amount of food waste to be ground, are large.

A hole, the diameter of the inlet to the grinding chamber, is cut into the sink or washing line. An extension tube with the same diameter is welded into the hole. A DRR-ring having holes the same size and spacing as the disposer mounting is welded to the other end of the extension. The disposer is bolted to the DRR-ring. A protection cover with a limit switch and a flushing nozzle or pipe is included in the assembly.

As the DRR-K assembly can be installed into most sinks and washing lines, the protection cover must be manufactured to suit each individual installation. The manufacturing dimension required, as shown on the reverse side of this product sheet, must be given by the customer. The limit switch disconnects the electrical supply, stopping the motor when the cover is lifted.

The 500 Excellent Series BASIC models must be assembled with an ATF-, ATV-, BS-, HK-, MI- or DRR-K-assembly before being given CE approval.

The 500 Excellent Series has Det Norske Veritas (DNV) Approval for compliance with IMO MARPOL 73/78 ANNEX V for disposal of ground food waste into the open sea.

Further details are specified overleaf.

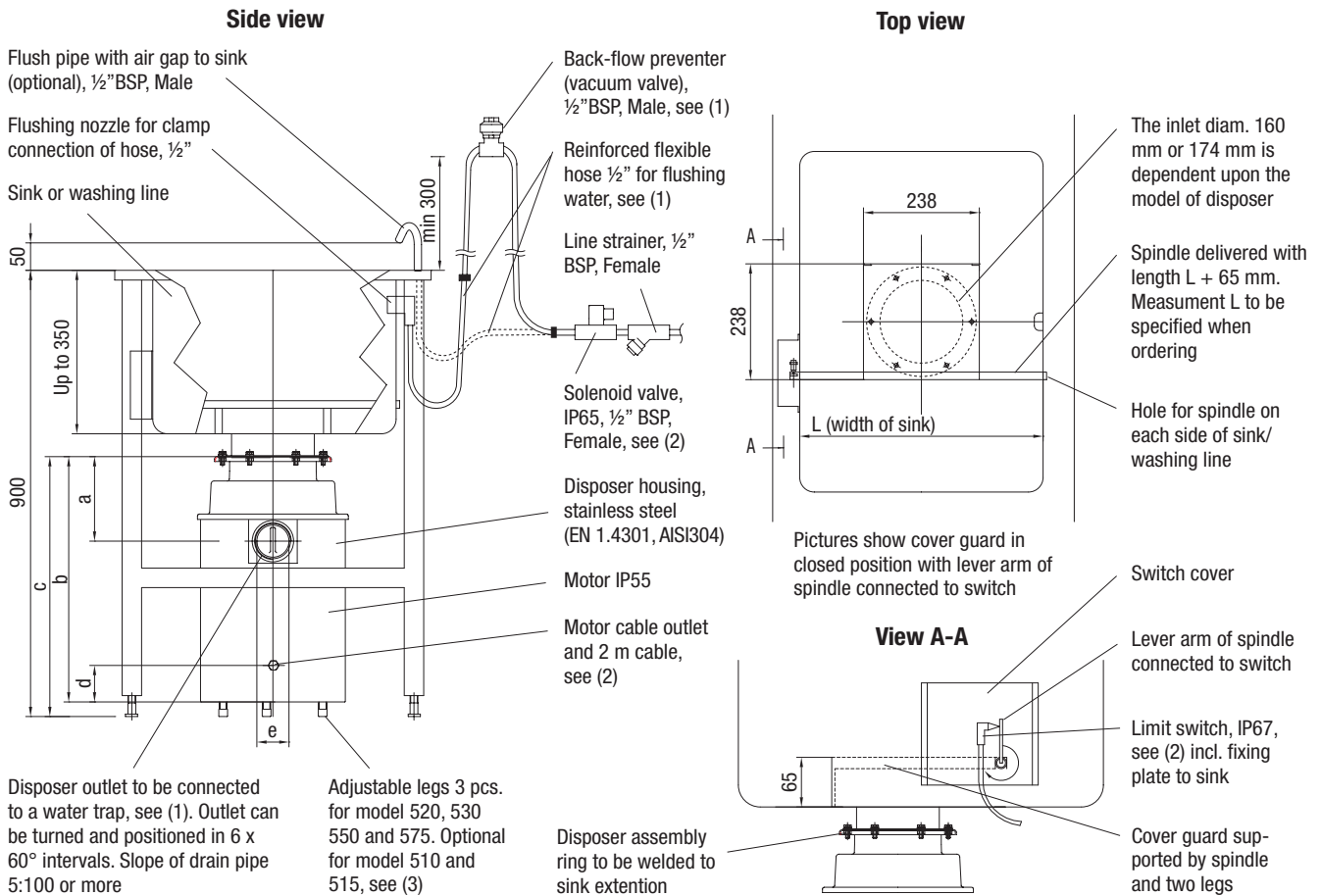
Disperator AB

Mälarvägen 9, SE-141 71 Segeltorp, Sweden
Tel +46 8 724 01 60, Fax +46 8 724 60 70
info@disperator.se, www.disperator.se



Ref: DRRK/Prod/Eng/091014

500-EXCELLENT SERIES DRRK MODELS



All measurements in mm

Technical Specification	510-DRRK	515-DRRK	520-DRRK	530-DRRK	550-DRRK	575-DRRK
Normal capacity, kg/hr	300	400	500	700	850	1000
Electrical power, kW	0,75	1,1	1,5	2,2	4,0	5,5
Rated current, A for:						
230 V / 3 ph. / 50 Hz	3,7	4,6	5,9	9,0	14,4	19,7
400 V / 3 ph. / 50 Hz	2,1	2,6	3,4	5,2	9,0	11,5
440 V / 3 ph. / 60 Hz	2,1	2,4	3,5	5,2	7,5	11,6
Other 3-ph voltages available.	1-ph 220-240V, 50/60Hz also available for models 510 and 515					
Control voltage	For marine installation the same as motor voltage. For land installation 230V / 50HZ					
Fuse rating, slow	10 A	10 A	10 A	16 A	16 A	25 A
Gross / net weight, kg	32 / 29	35 / 32	40 / 37	48 / 45	51 / 48	60 / 57
Measurement a	151	151	151	176	176	176
Measurement b	425	425	568	545 see (4)	545 see (4)	640
Measurement c	See (3)	See (3)	591-715	570-635 see (4)	570-635 see (4)	665-730
Measurement d	40	40	40	75	75	75
Measurement e	2 "	BSP,	Female	2 ½ "	BSP,	Female

- (1) Installation material needed but not incl. in standard delivery are electrical connection terminal / main switch, flexible hose ½", backflow preventer and water trap. Can be ordered from DISPERATOR.
- (2) For connection to start & stop controller (IP55, incl. overload protector) placed on wall / bulkhead. Controller to be connected to terminal / main switch, see (1).
- (3) 3-ph standard without legs. Legs available as option – and then with same measurements b), c) and g) as model 520. Models 510, 515 1-ph have same measurements b), c) and g) as model 520.
- (4) Short version (b = 510 mm and c = 522–593 mm) and longer version (b = 640 mm and c = 665–730 mm) available as option.
- (5) Installation, operation and service instructions are together with this product leaflet included in delivery.

Disperator AB

Mälurvägen 9, SE-141 71 Segeltorp, Sweden
 Tel +46 8 724 01 60, Fax +46 8 724 60 70
 info@disperator.se, www.disperator.se